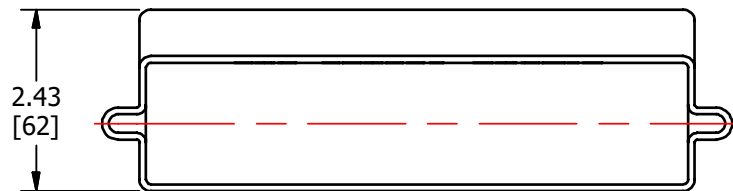
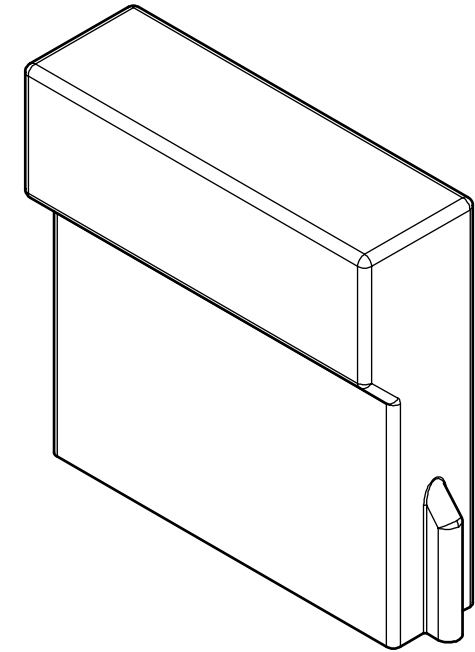
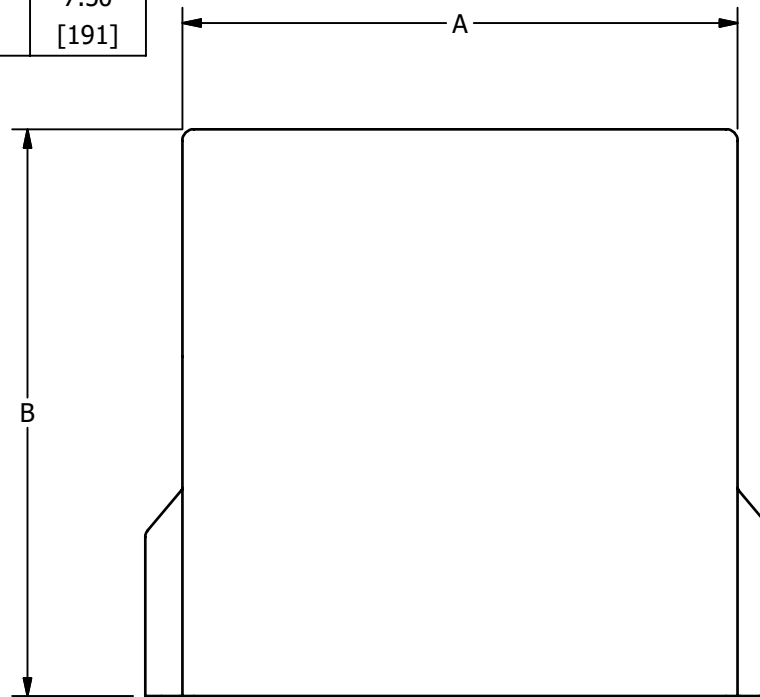
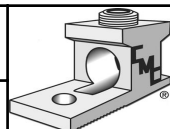


S.NO	CATALOG NUMBER	A	B
1	BUPD-A	5.00 [127]	5.50 [140]
2	BUPD-B	7.25 [184]	7.50 [191]



- MATERIAL: PVC
- TYPE BUP- BLACK PVC BOOTS HAVE EXTRA LONG SKIRTS
- NOMINAL THICKNESS .125 (1/8 INCH)
- RATED AT 240 VOLTS PER MIL
- COVER RATED AT 105°C.

					TO ORDER CMC PRODUCTS	DRAWN BY: TS 12-21-20	NAME OF PART: PVC BOOTS	CAT. NO.: SEE TABLE
					UNITED STATES 1-513-860-4455	CHECKED BY:	DWG NO: U55508041-S (CHARTED)	A
					CANADA 1-800-361-6975	DRAWING NOT TO SCALE		SHEET NO: 1 OF 1
					MEXICO 011-52-722-265-4400			
A	NEW DRAWING CREATED		12-21-20	TS	FOR PRODUCT INFO www.cmdugs.com			
REV.	DESCRIPTION	ECN	DATE	INIT.				

THIS INFORMATION IS PROPRIETARY TO CONNECTOR MFG. CO. AND IS NOT TO BE DISCLOSED OUTSIDE OF CONNECTOR MFG. CO. WITHOUT A CONFIDENTIALITY AGREEMENT



CONNECTOR MANUFACTURING CO.

HAMILTON, OHIO